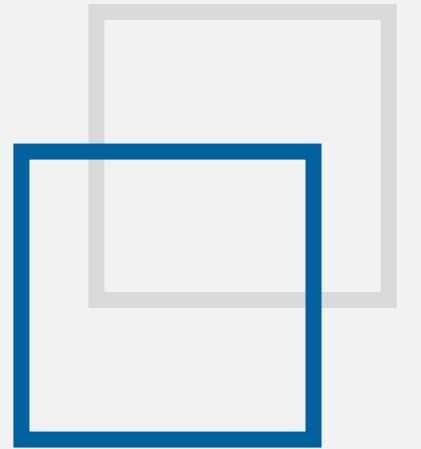




ML-24



ML-24 Parameters



Product technical parameters

Technical Parameters of 24 Feet Aluminium Alloy Sightseeing Boat

Model: ML-24 sightseeing boat

Overall length: 7.98m

Hull length: 7.13m

Hull width: 2.56m

Moulded depth: 0.76m

Displacement: 1.97t

Navigating zone: B level

Passenger: 12

Sailor: 1

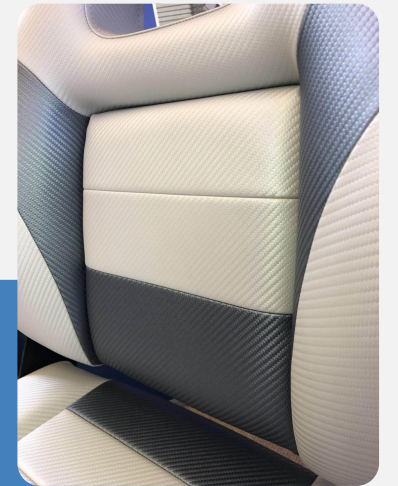
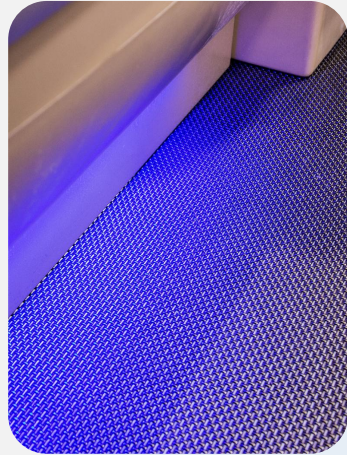
Draft of water: 0.0m

Engine: outdrive

Power: 90hp

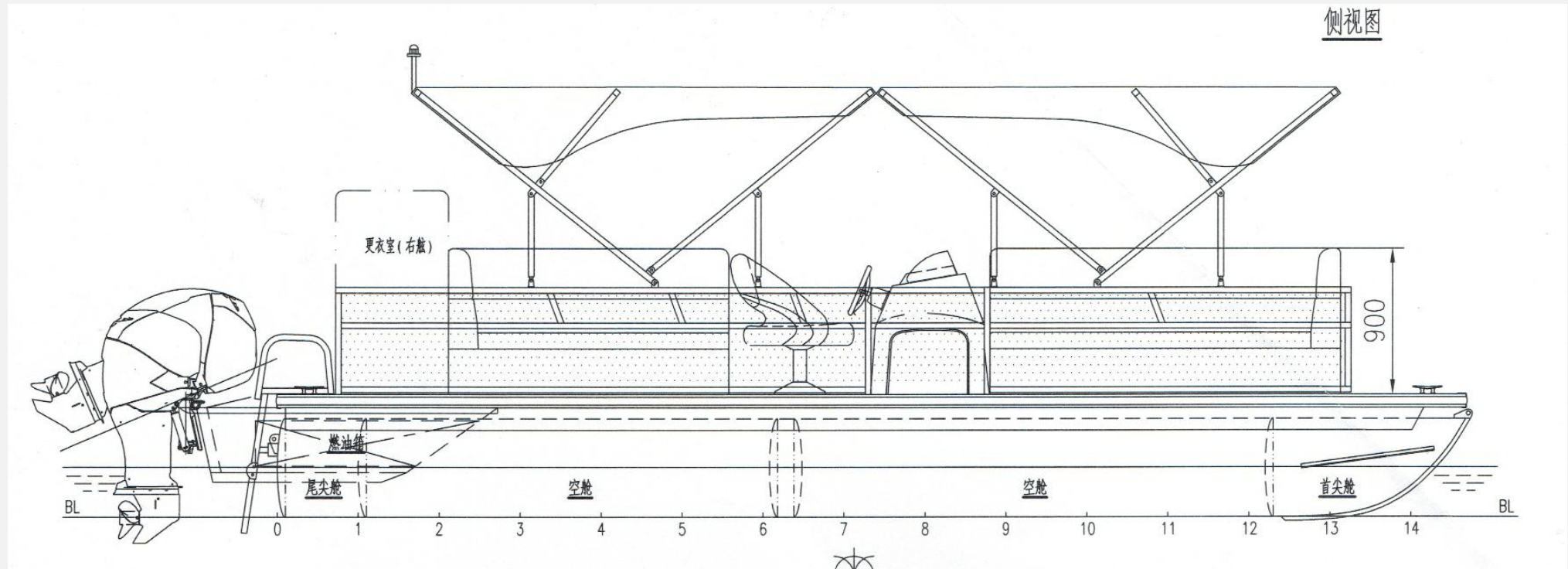






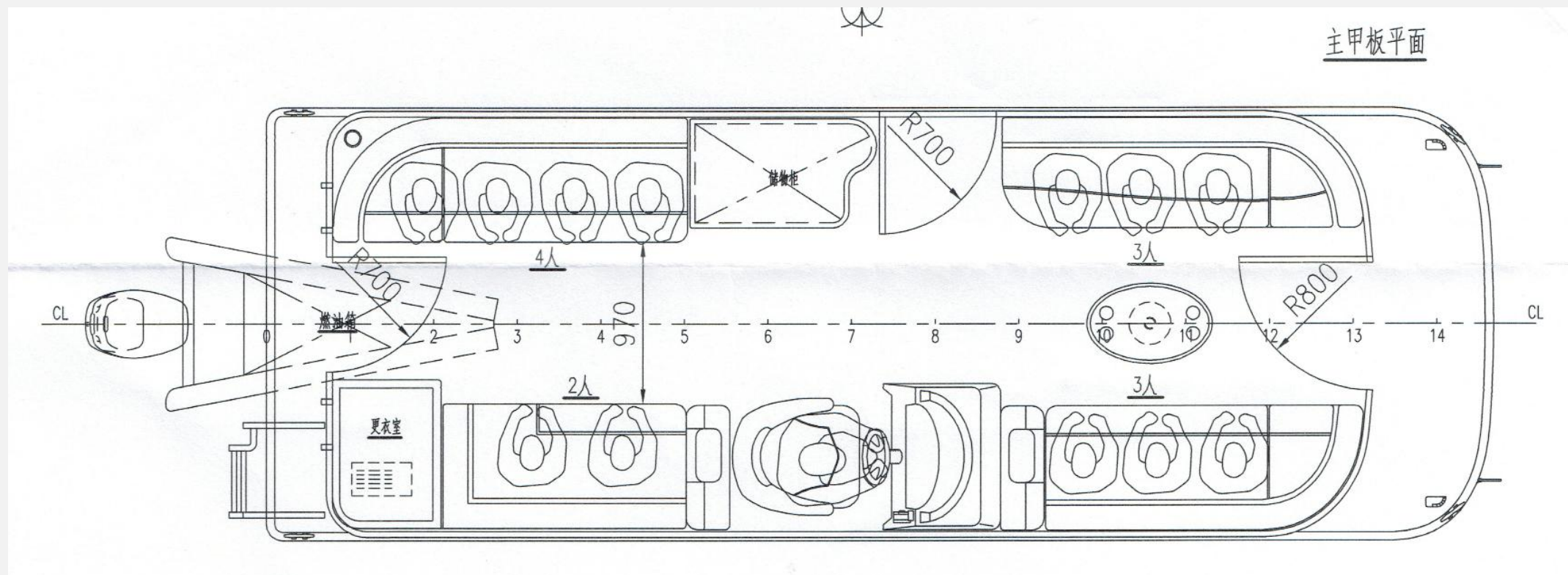
Layout

ML-36 side view



Layout

ML-36 planimetric map



Accessories

No.	name	qty	remarks
1	aluminium alloy hull	1 boat	transverse system
2	sofa	1 set	waterproof
3	guardrail	1 set	aluminium alloy
4	trunk bulkhead	1 set	stoving varnish board
5	canopy frame	1 set	aluminium alloy
6	canopy cloth	1 set	waterproof
7	cleat	4 pcs	SS
8	bump strip	1 set	rubber
9	outdrive	1 set	embedded
10	sidelight	a pair(left and right)	
11	all-round light	1 set	LED
12	bridge	1 set	GRP
13	seats	1 set	for outdoor use
14	circuit	1 set	
15	voltmeter	1 pcs	
16	oil level gage	1 pcs	
17	bluetooth player	1 set	

No.	name	qty	remarks
18	handheld loudspeaker	1 set	
19	tea table	1 set	detachable
20	storage room	1 set	
21	dressing room	1 set	
22	fuel tank	1 set	110L
23	anti-collision ball	4 pcs	
24	dry powder extinguisher	2 pcs	5KG
25	foam extinguisher	1 pcs	9L
26	lifebuoy	2 pcs	CCS
27	life jacket	13 pcs	CCS
28	life jacket for kids	5 pcs	CCS
29	mooring lines	2 pcs	20m
30	storage battery	1 pair	12V 80AH
31	engine	1 set	Yamaha 90 hp

90HP engine parameters



Outdrive Parameters

Model	F90CETX, four-stroke petrol outdrive
Rated power	90hp (66.2kW)
Full throttle maximum speed	5000-6000
Cylinder quantity	4 pcs
Cylinder diameter*stroke	81mm×88.9mm
Displacement	1832cc
Fuel intake system	electronic fuel injection
Starter	electric
Steering control system	forward operation
Coaming height	643mm
Adjustment and tilt	electric
Lubricating system	wet lubricating
Weight	166kg

Including vertical remote control box, hydraulic control and mounting cost

Transportation and Hoisting

Transportation and Hoisting

transportation and hoisting	customers handle by yourselves or entrust us
transport vehicle	trailer
hull packing	boat cover+high pressure PE waterproof film+net
hull fixing	fixed by wooden bed-jig+bandage
hull hoisting	in the middle of boat
delivery point	
transport mileage	

Transportation



Hoisting



